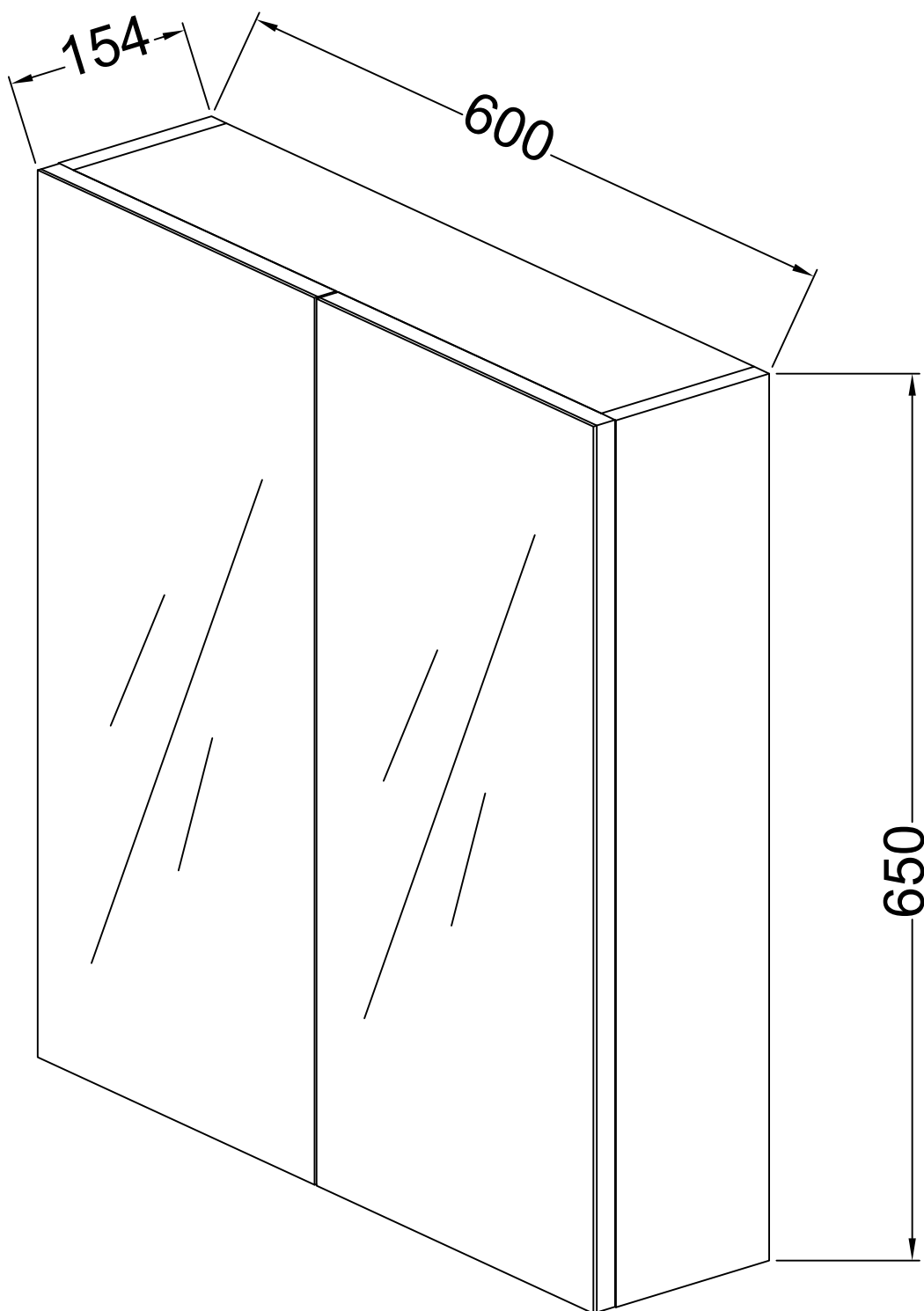
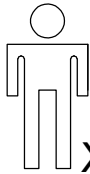


BRAZIL SPEJLSKABET 60

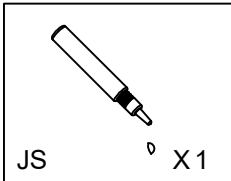
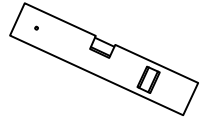
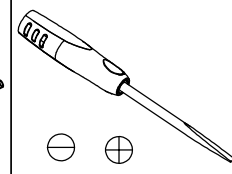
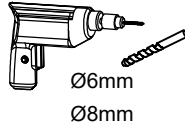
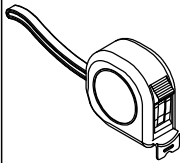
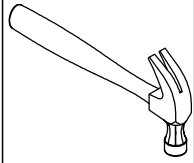




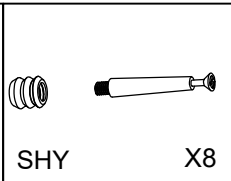
90 minutes



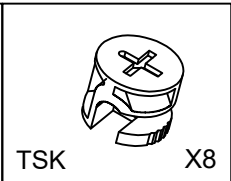
X2



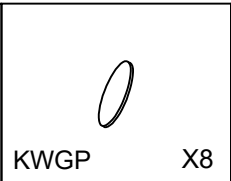
JS X1



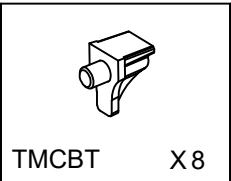
SHY X8



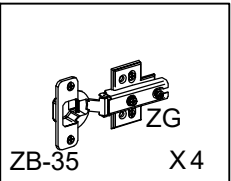
TSK X8



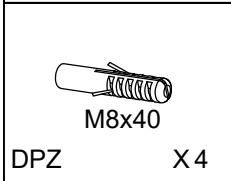
KWGP X8



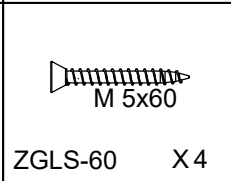
TMCBT X8



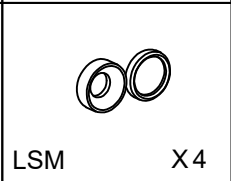
ZB-35 X4



DPZ X4

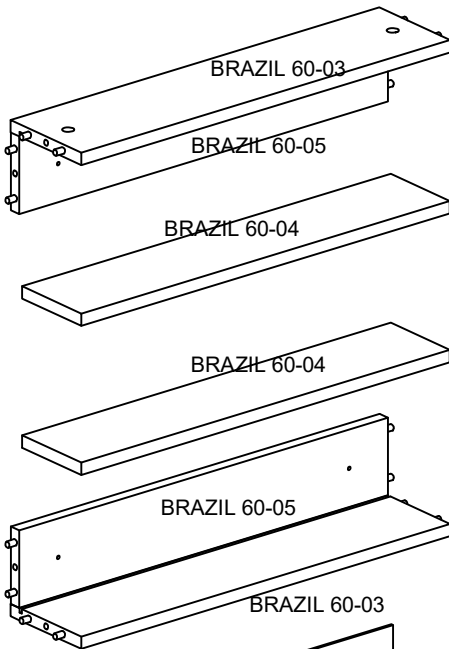
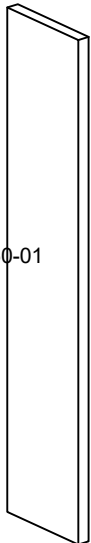


ZGLS-60 X4

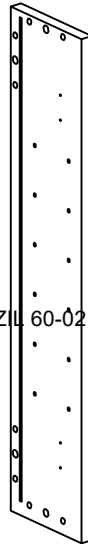


LSM X4

BRAZIL 60-01



BRAZIL 60-02



BRAZIL 60-07



BRAZIL 60-07

BRAZIL 60-06



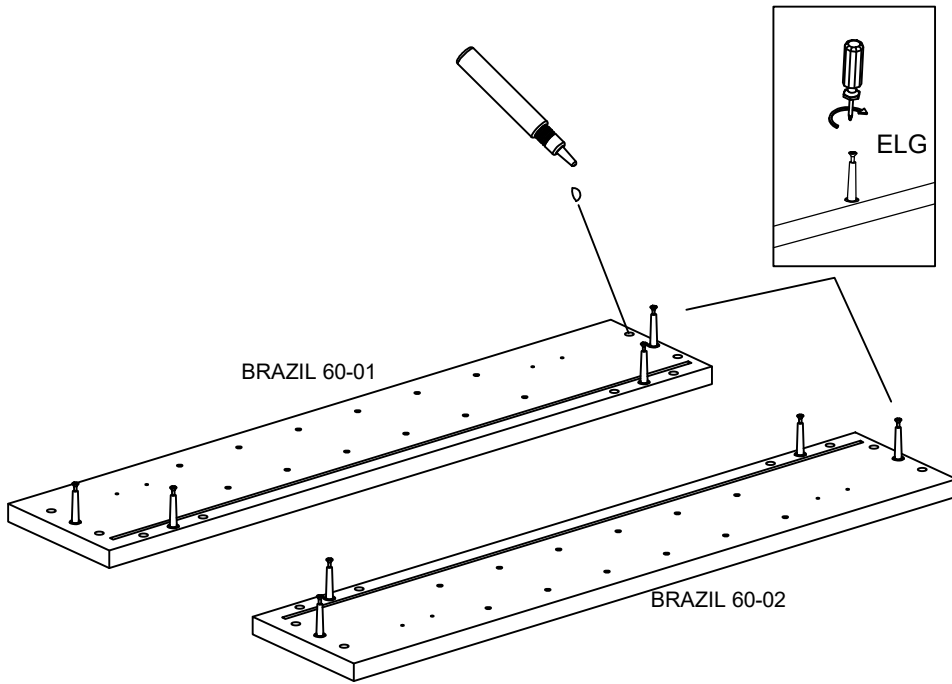
1



SHY



X8



2



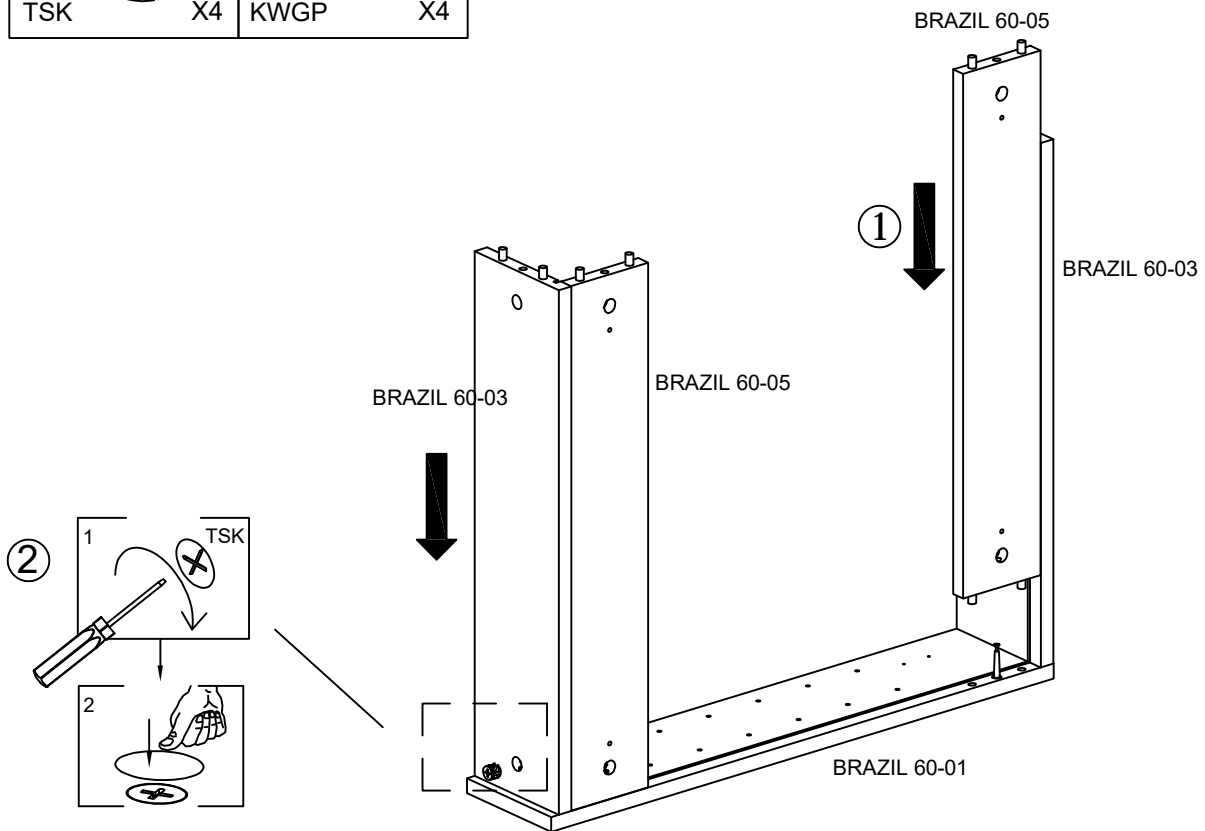
TSK

X4

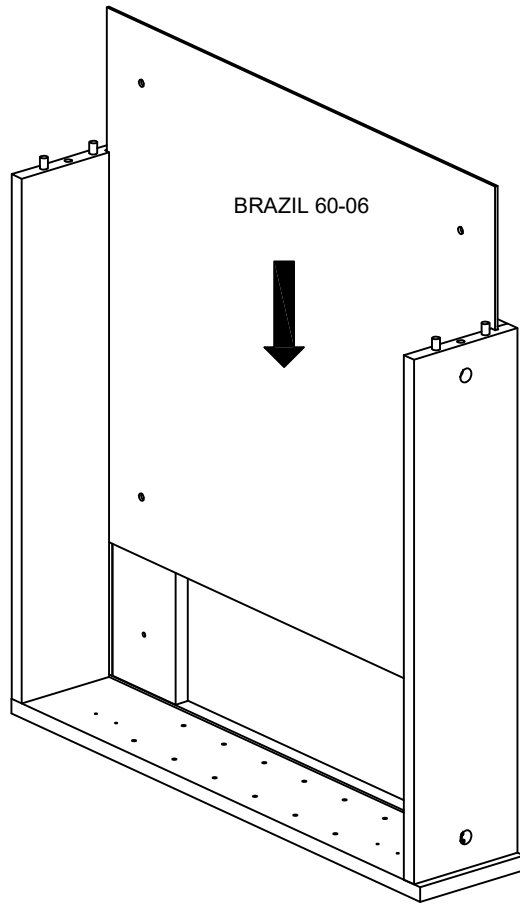


KWGP

X4



3



4



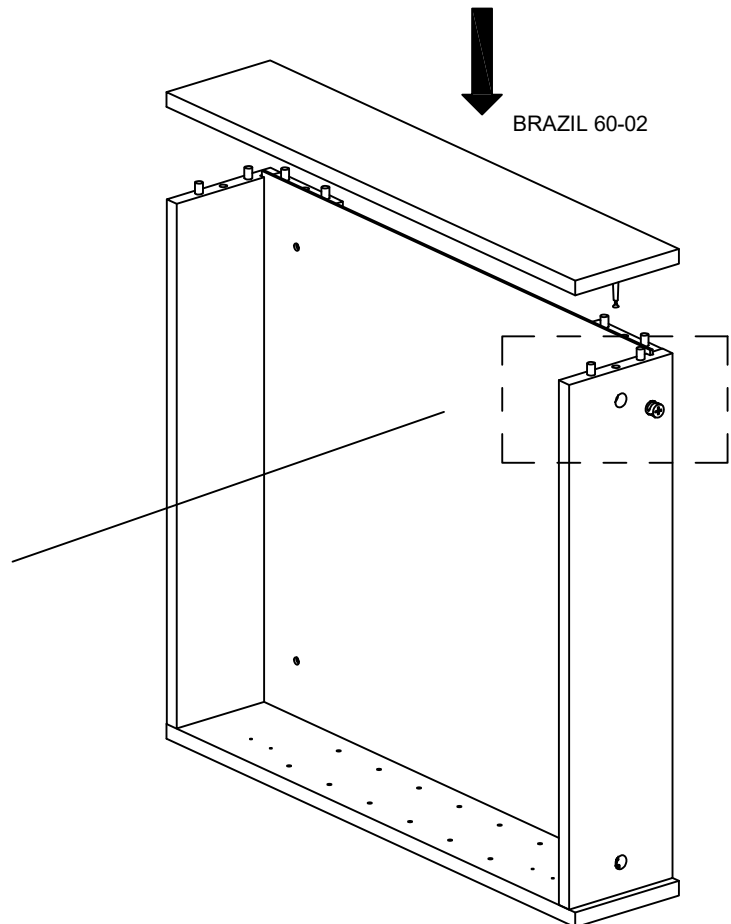
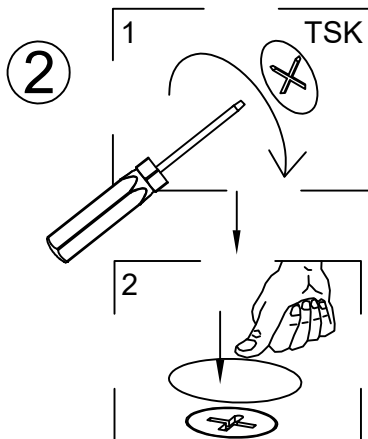
TSK

X4



KWGP

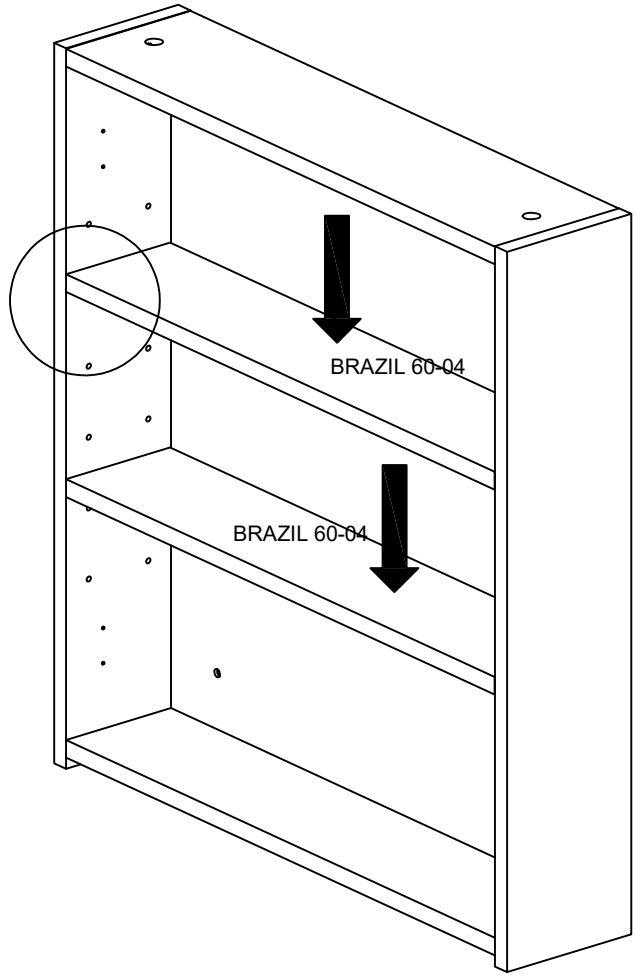
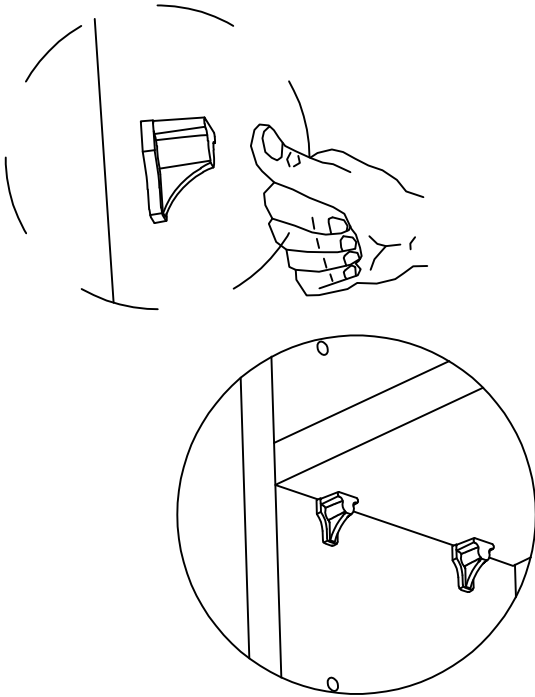
X4



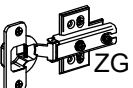
5



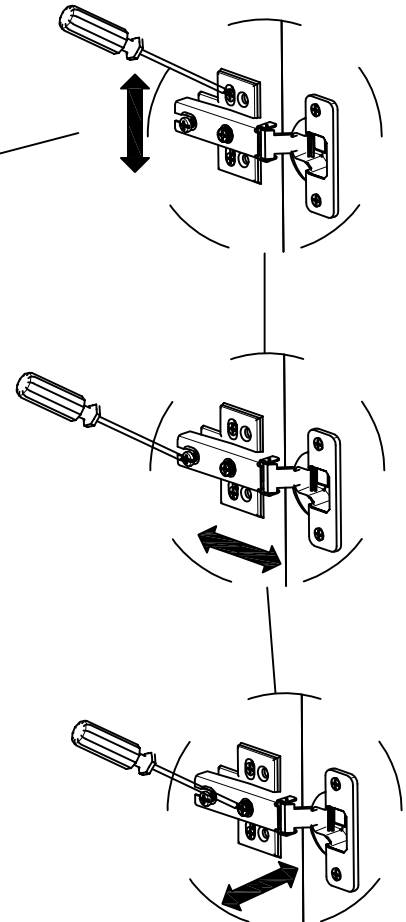
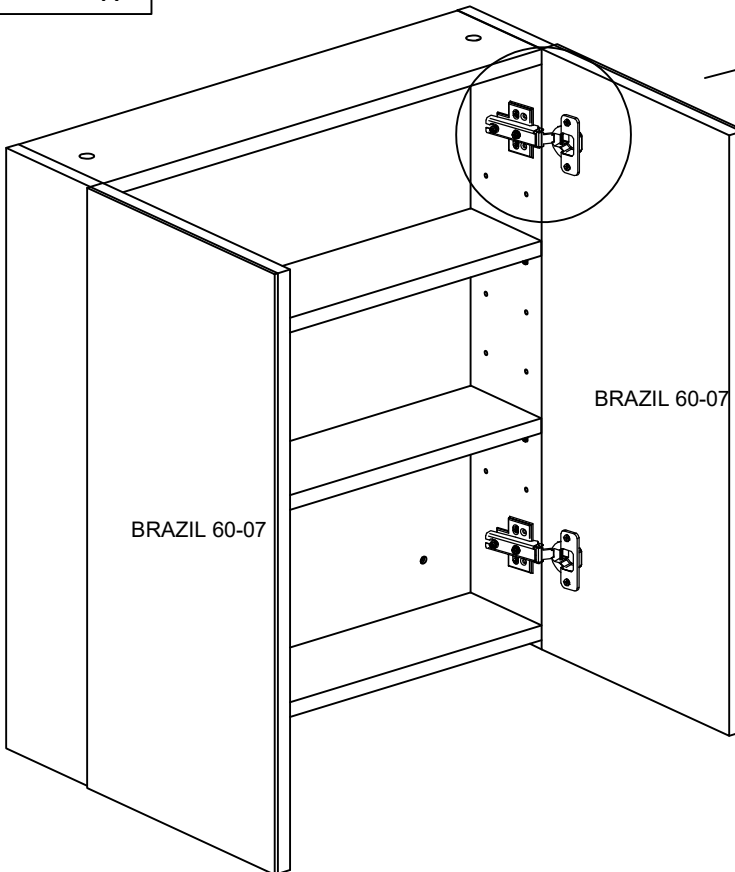
TMCBT X8



6



ZB-35 X4



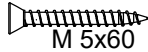
7



M8x40

DPZ

X4



M 5x60

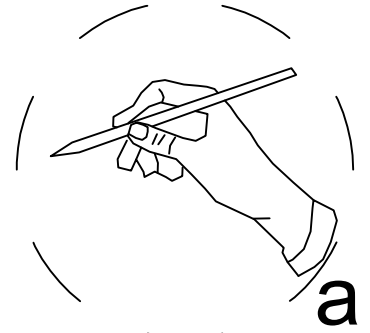
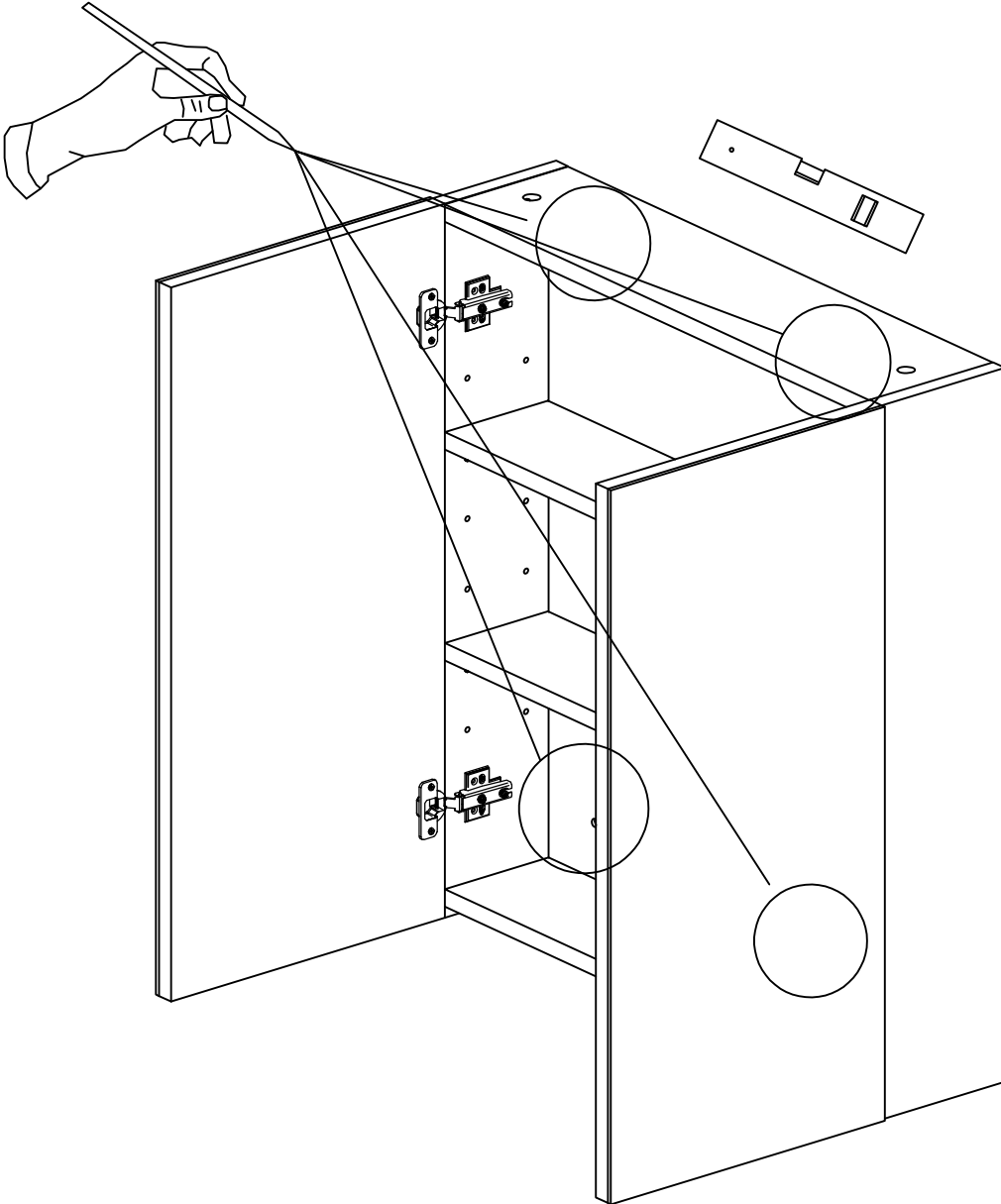
ZGLS-60

X4

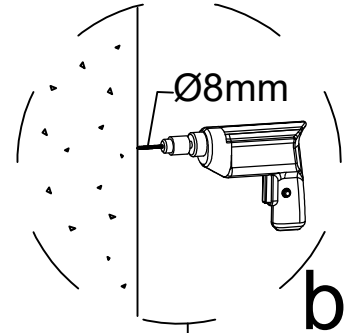


LSM

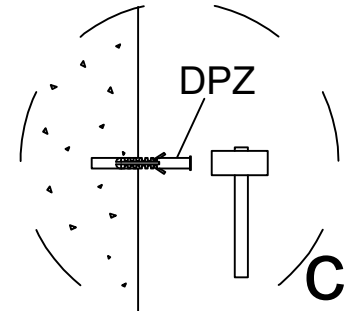
X4



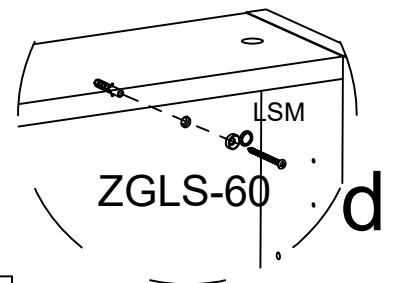
a



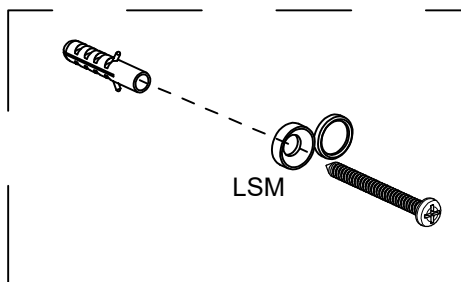
b



c



d



LSM